

SG-AW-D Grilles

[Find more details in our online catalogue](#)



SG AW-D BGr 071, RAL 9005

Protection guard, for air handling units

Protection guard.

For axial fans, model range AW. Inlet mounting. Black plastic cover, RAL 9005. Available in different dimensions.

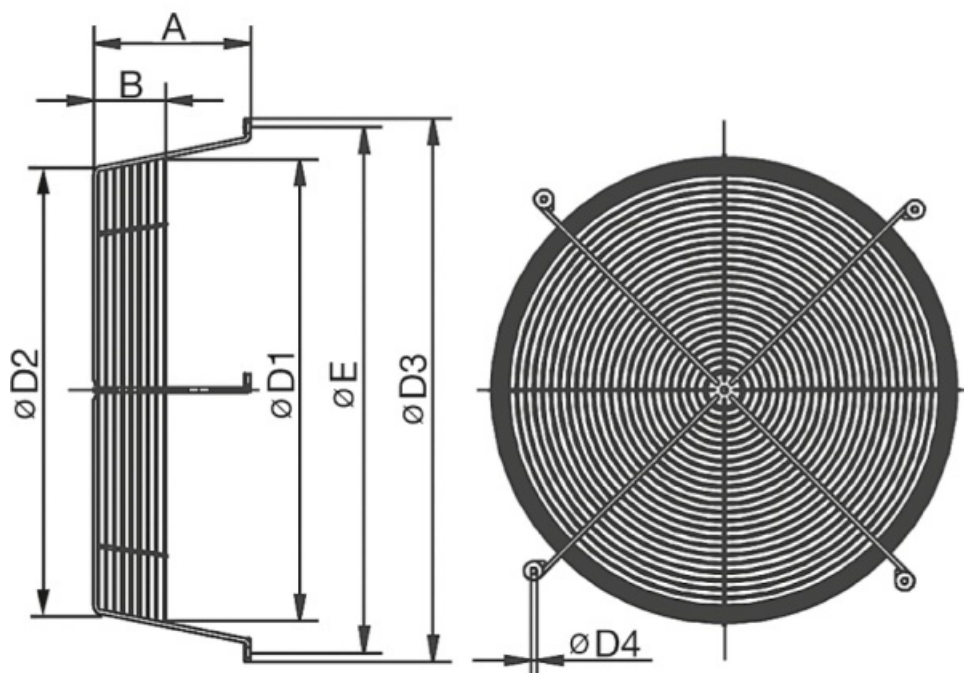
Technical parameters

Dimensions and weights

Weight

3.9 kg

Dimension



	A	B	øE	øD1	øD2	øD3	øD4
SG-AW-D 710	295	152	835	743	702	857	9,5

